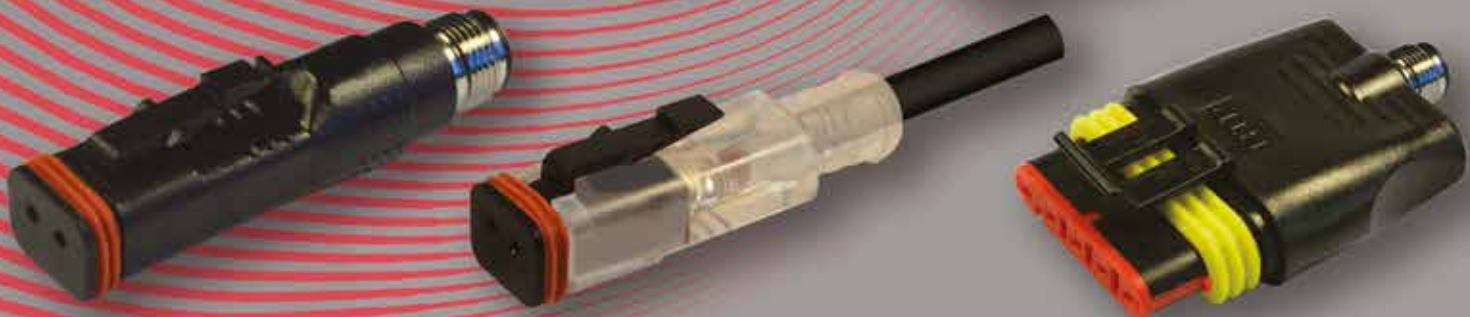




AUTOMOTIVE SERIES CONNECTORS



Connectors for automotive are specific for use in the automotive industry. These are particularly durable and reliable connectors because they are often placed in weather-accessible parts of a car.

Automotive Connectors are well sealed against dust and moisture and generally have a good degree of heat resistance.

In addition, due to the vibrations that result from installation in a vehicle, the connectors are equipped with secure locking systems integrated into the male connector and female connector to prevent accidental disconnection.

H.T.P. offers a wide range of automotive products with molded cable interchangeable with *Deutsch*, *Metripack*, *Superseal* and *Junior Timer* connectors.

To prevent environmental conditions from leading to rapid degradation of the cable protection sheaths, corrugated tubes or expandable sleeves are often applied to ensure the safety of the operation of electrical cables.

H.T.P. is able to provide accessories for fixing the corrugated tube to the connector or provide connectors with the expandable sleeve overmolded to the connector together with the cable.





HDC CONNECTORS

- Interchangeable with Deutsch connectors DT series
- 2 poles
- Female - Male connectors with molded cable
- Available in any lengths
- Rated Voltage: 48V AC/DC
- Rated Current: 8A
- Protection Class: IP67 (inserted and tightened)



HDC CONNECTORS

- Interchangeable with Deutsch connectors DT series
- 2 poles
- Female - Male connectors with molded cable
- Available in any lengths
- With electronic components:
Led / Led + Varistor / Led + Diode
- Rated Voltage: 24V AC/DC
- Rated Current: 1A (4A only LED)
- Protection Class: IP67 (inserted and tightened)



HDC CONNECTORS

- Interchangeable with Deutsch connectors DT series
- 3 poles
- Female - Male connectors with molded cable
- Available in any lengths
- Rated Voltage: 48V AC/DC
- Rated Current: 8A
- Protection Class: IP67 (inserted and tightened)



HDC CONNECTORS

- Interchangeable with Deutsch connectors DT series
- 4 poles
- Female - Male connectors with molded cable
- Available in any lengths
- Rated Voltage: 48V AC/DC
- Rated Current: 8A
- Protection Class: IP67 (inserted and tightened)



HDC CONNECTORS

- Interchangeable with Deutsch connectors DT series
- 6 poles
- Female - Male connectors with molded cable
- Available in any lengths
- Rated Voltage: 48V AC/DC
- Rated Current: 8A
- Protection Class: IP67 (inserted and tightened)



HDC CONNECTORS

- Interchangeable with Deutsch connectors DT series
- 8 poles
- Female - Male connectors with molded cable
- Available in any lengths
- Rated Voltage: 48V AC/DC
- Rated Current: 8A
- Protection Class: IP67 (inserted and tightened)



HJT CONNECTORS

- Interchangeable with Junior Timer
- 2 poles
- Female connector with molded cable
- Available in any lengths
- Rated Voltage: 230V AC/DC
- Rated Current: 4A
- Protection Class: IP65 (inserted and tightened)



HJT CONNECTORS

- Interchangeable with Junior Timer
- 2 poles
- Female connector with molded cable
- Available in any lengths
- With electronic components:
Led / Led + Varistor / Led + Diode
- Rated Voltage: 24V / 115V / 230V AC/DC
- Rated Current: 1A
- Protection Class: IP65 (inserted and tightened)



HAS CONNECTORS

- Interchangeable with SuperSeal connectors 1.5 series
- 2 poles
- Female - Male connectors with molded cable
- Available in any lengths
- Rated Voltage: 24V DC
- Rated Current: 8A
- Protection Class: IP67 (inserted and tightened)



HAS CONNECTORS

- Interchangeable with SuperSeal connectors 1.5 series
- 3 poles
- Female - Male connectors with molded cable
- Available in any lengths
- Rated Voltage: 24V DC
- Rated Current: 8A
- Protection Class: IP67 (inserted and tightened)



HAS CONNECTORS

- Interchangeable with SuperSeal connectors 1.5 series
- 4 poles
- Female - Male connectors with molded cable
- Available in any lengths
- Rated Voltage: 24V DC
- Rated Current: 7A
- Protection Class: IP67 (inserted and tightened)



HAS CONNECTORS

- Interchangeable with SuperSeal connectors 1.5 series
- 5 poles
- Female - Male connectors with molded cable
- Available in any lengths
- Rated Voltage: 24V DC
- Rated Current: 7A
- Protection Class: IP67 (inserted and tightened)



HAS CONNECTORS

- Interchangeable with SuperSeal connectors 1.5 series
- 6 poles
- Female - Male connectors with molded cable
- Available in any lengths
- Rated Voltage: 24V DC
- Rated Current: 7A
- Protection Class: IP67 (inserted and tightened)



C866 CONNECTORS

- Interchangeable with Metri-pack connectors 150 series
- 3 poles
- Female connectors with molded cable
- Male panel connector, frontal mounting
- Available in any lengths
- Nominal Current: 7,5A
- Maximum Current: 15A
- Protection Class: IP67 (inserted and tightened)



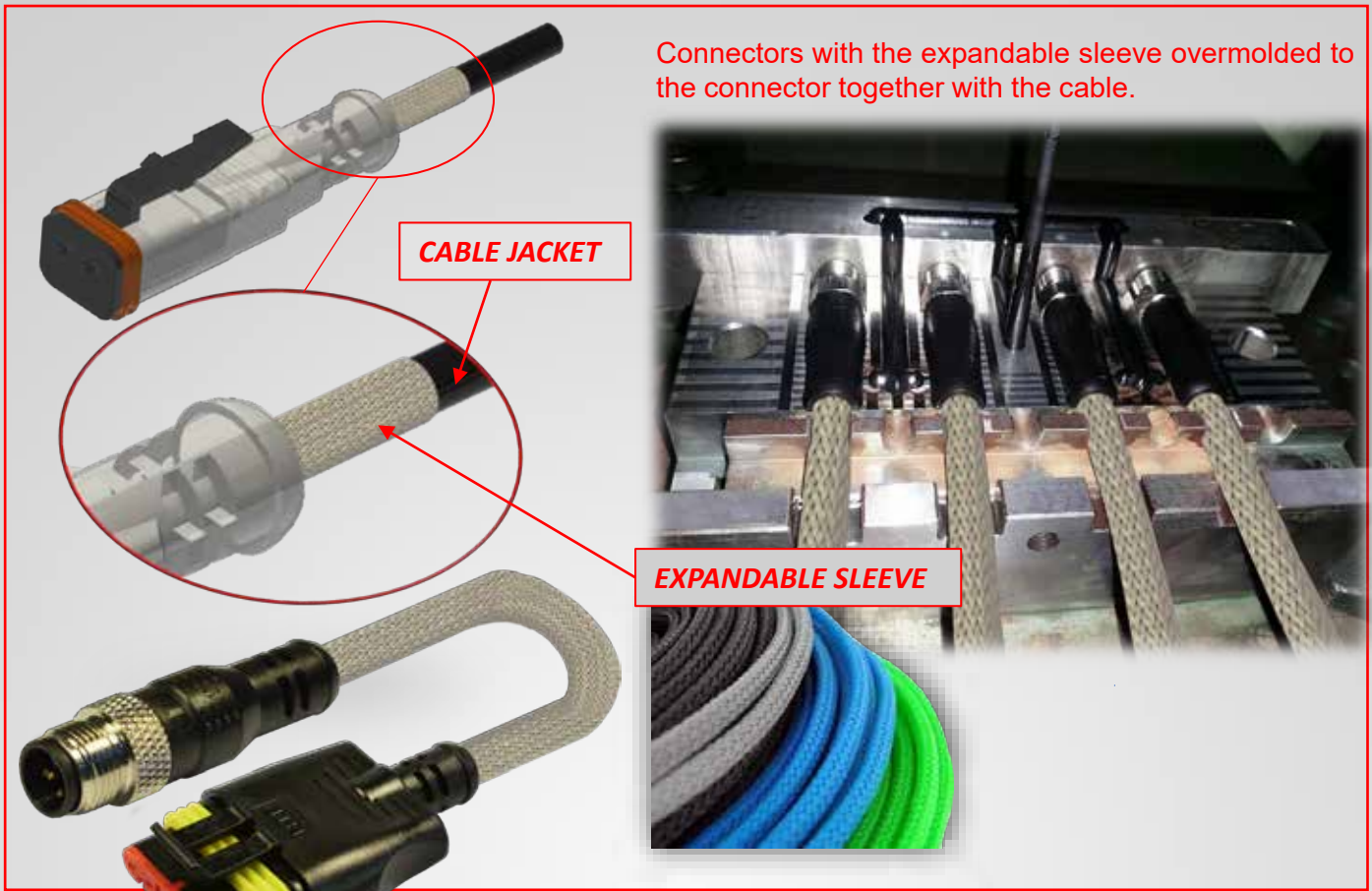
HDC-M12 CONNECTORS

- Interchangeable with Deutsch connectors DT series
- 2-3-4 poles
- Rated Voltage: 48V AC/DC
- Rated Current: 4A
- With electronic components:
 - Led / Led + Varistor / Led + Diode
 - Rated Voltage: 24V AC/DC
 - Rated Current: 1A
- Protection Class: IP67 (inserted and tightened)



HAS-M12 CONNECTORS

- Interchangeable with SuperSeal connectors 1.5 series
- 2-3-4-5-6 poles
- Rated Voltage: 24V DC
- Rated Current: 4A (2A 6poles)
- Protection Class: IP67 (inserted and tightened)

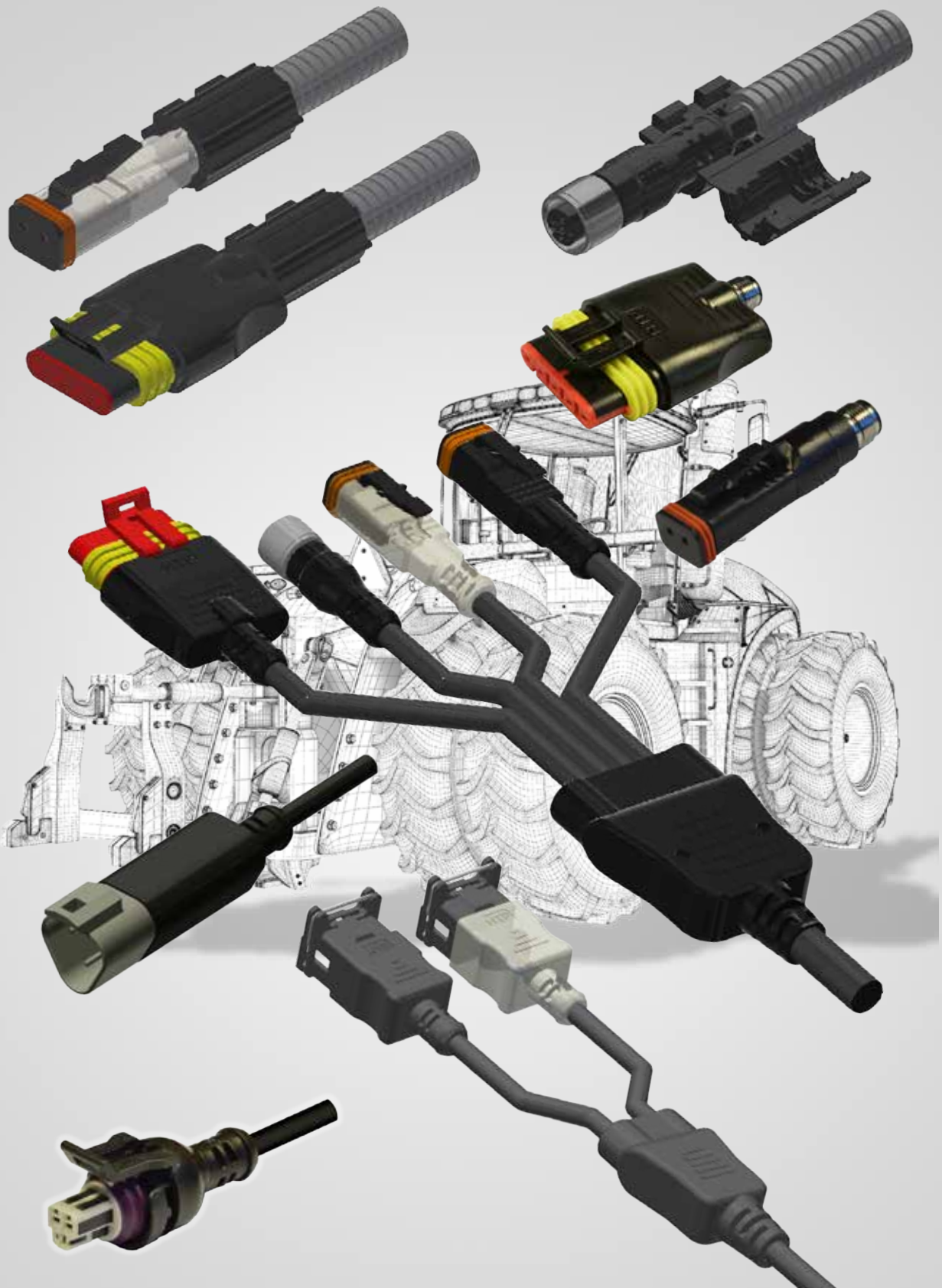


ACCESSORIES

Clip suitable for:

- Conduit diameter: int. $\varnothing 6,2$ / ext. $\varnothing 10\text{mm}$
- Conduit diameter: int. $\varnothing 9,6$ / ext. $\varnothing 13\text{mm}$





Via Lesina, 45 - 24030 Brembate di Sopra (BG) Italy



+39.035692509



+39.035203291



info@webhttp.eu



HTP High Tech Products Srl



www.webhttp.eu